



WIND

The water cycle is an important part of our world and provides the water that we need.

Clouds become full of rain and that soaks into the ground as well as rivers and reservoirs.

How do the clouds move across the sky? Have a good look when you are out. The wind is moving them across the sky and when they reach land, they often drop their load of rain.

Wind can be different speeds and strengths.

1 HAVE FUN IN THE WIND

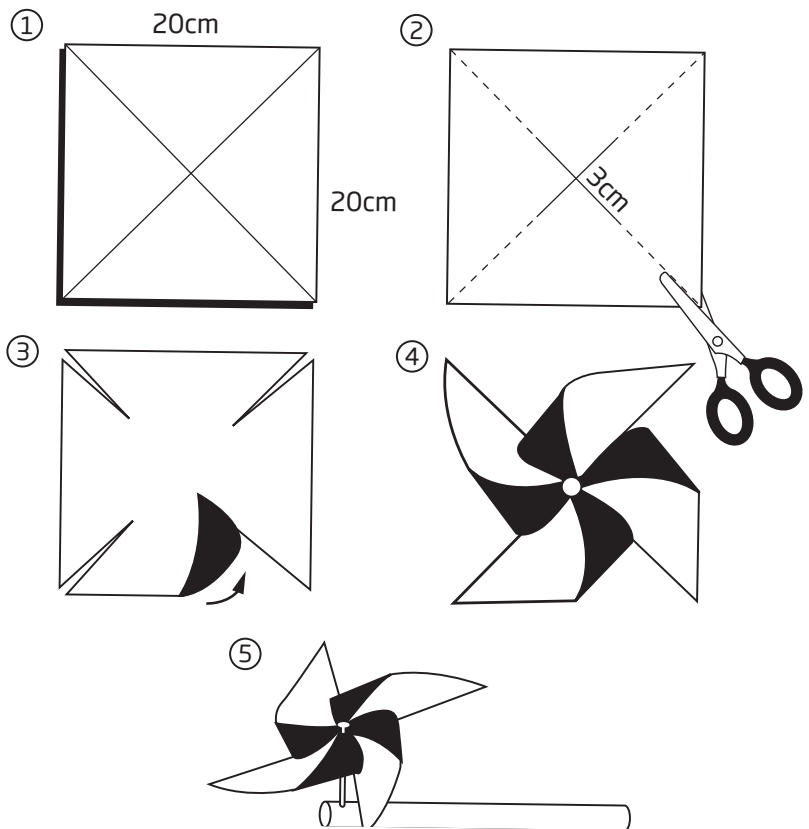
Stand outside and watch how the wind makes the clouds, trees, branches, leaves and litter move around our world. You can't see wind but you can see how it moves these things. Can you feel it? How does it feel on your face and your body? Turn around and see if you can still feel it on your face? You can tell which direction it is coming from. Sometimes, if it is strong, it can make you feel that you are going to fall over!



2 MAKE A PAPER WINDMILL

You will need: two pieces of paper or card, ruler, sticker, a panel pin and a piece of dowelling

- 1 Cut 2 x 20 cm square pieces of paper in two different colours if possible. Place one sheet on top of the other carefully and fold in half diagonally and open out. Fold diagonally again with the opposite corners and open out.
- 2 Cut from each corner along the diagonal fold stopping 3 cms from the centre.
- 3 Fold alternate corner sections into the centre of the paper holding them in position as you go
- 4 Then place a sticker to hold the four blades in position.
- 5 Push the map or panel pin carefully through the centre of the sticker and out the back.
Place the pin in the dowelling but make sure that the blades can turn freely.



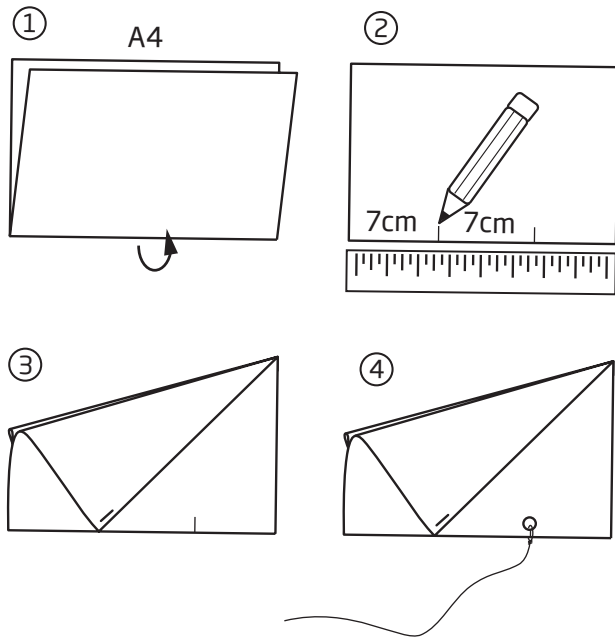
Recycling tip - you can use an old plastic bottle

3 MAKE A PAPER KITE

There are various shapes and styles but the following is a very simple one.

You will need: an A4 piece of paper, pencil, ruler, stapler, holepunch and lightweight string

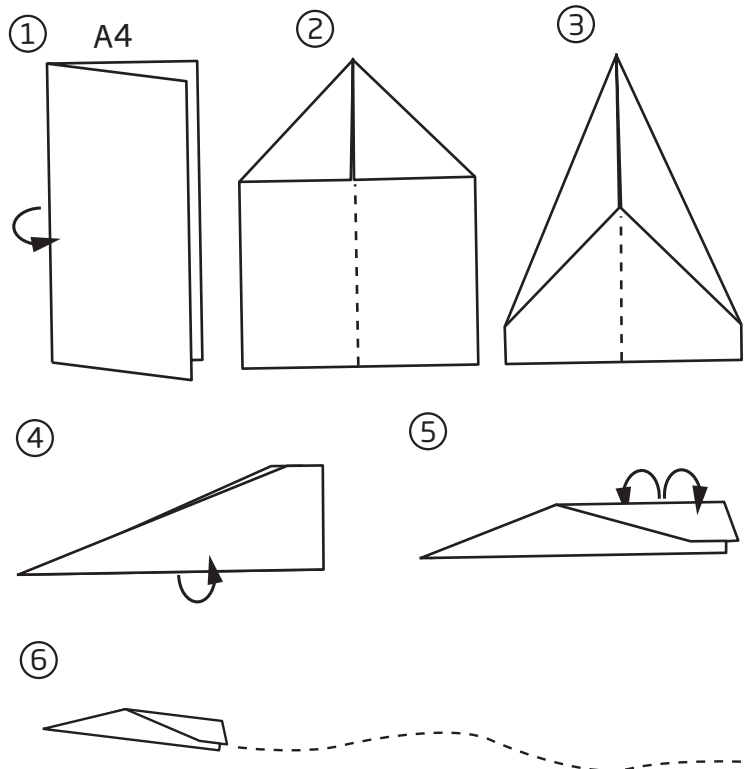
- 1 Take the A4 piece of paper (you can colour both sides if you have time) and fold it in half from bottom to top in a portrait position.
- 2 Take your ruler and measure along the fold line 7cms and made a pencil mark. Then measure another 7 cms from there and make another pencil mark.
- 3 Take the top edge of the paper and curl it over to the first pencil mark and then do the same with the other top edge on the other side but do not crease them. Staple them at the mark.
- 4 Then make a hole at the second pencil mark and thread lightweight string through the hole.



Recycling tip - you can use an old newspaper or an old plastic bag to make a kite.

4 MAKE A PAPER AEROPLANE

- 1 Take an A4 piece of paper and fold it in half lengthways.
- 2 Open out and fold the top two corners in towards the central crease.
- 3 Then fold both outer sides in against the crease which makes an arrow shape.
- 4 Turn arrow shape over and fold in half along middle crease.
- 5 Fold out edges to meet bottom edge of plane. Decorate the wings if you wish.
- 6 Go flying!



You can try different folds and shapes - would it work with newspaper or card?

Recycling tip - you can use junk mail or letterbox flyers to make lots of aeroplanes.

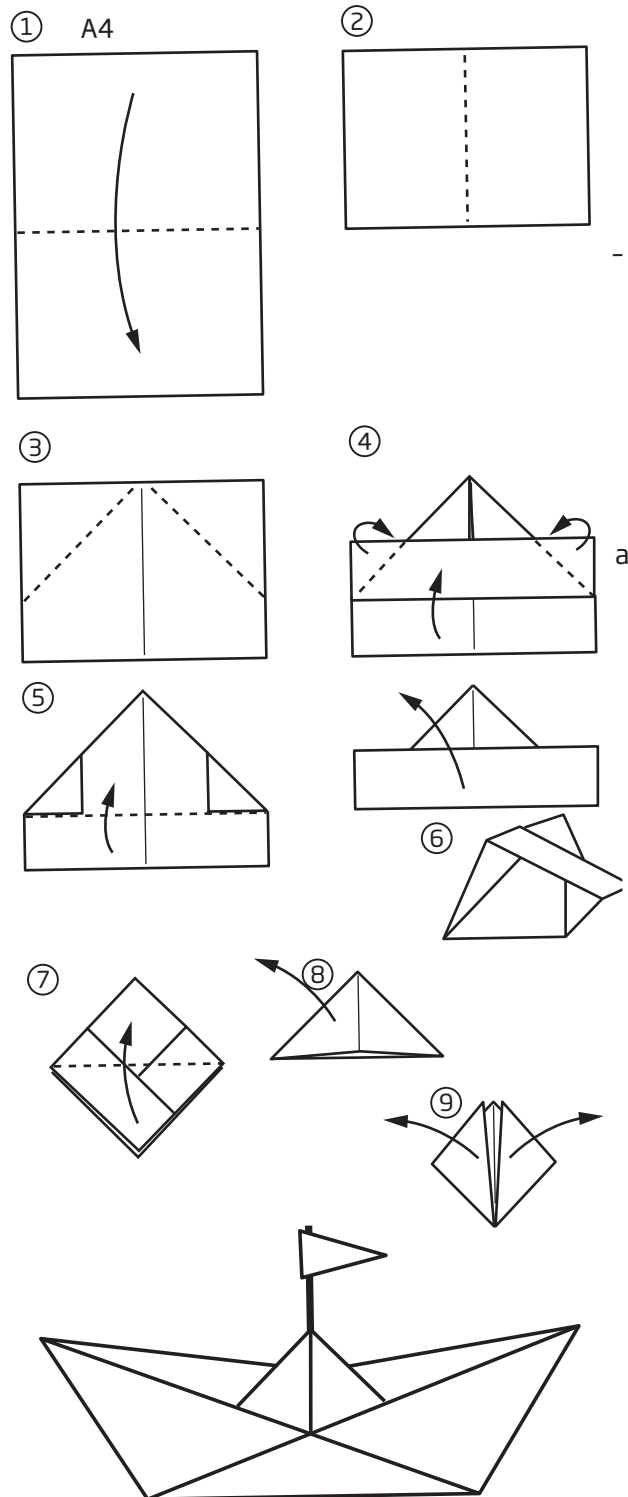
5 MAKE A SAILING BOAT

You will need: one piece of A4 paper - you can colour it in before or after making the boat.

- 1 Fold the A4 piece of paper top to bottom.
- 2 Make a vertical crease and unfold this will leave a central line.
- 3 Fold down the top corners so that they line up with the central crease or line making two triangular flaps.
- 4 Fold the bottom rectangle of the paper up and fold over the corners.
- 5 Turn it over and do the same to the rectangular flap. (It will look like party hat!)
- 6 Use your fingers to open up the bottom of the triangle. It should naturally start to pop into a square shape, so that what were once the bottom corners of the triangle fold over each other
- 7 Fold up the bottom flaps. Arrange your paper so that the bottom points of the diamond can fold upward. Fold up one corner, aligning it with the top corner. Flip the paper over and do the same thing to the other side.
- 8 Make the triangle into a square again. Like you did last time, open up the bottom of your new triangle with your fingers. The bottom corners will line up to become the bottom point of a square diamond.
- 9 Pull out the triangles on the side of the square. Start at the top of the diamond, and gently pull the two sides apart so that the seam running down the middle of the diamond opens. You now have your basic boat and you can decorate it if you wish and add a flag.

Fold up the sides of the boat. Make little adjustments to your boat so that the sides come up a bit, keeping the water out of the middle and preventing the boat from sinking.

Recycling tip - you can use old clean plastic margarine pots, straws for sails or even bark and leaves to make boats!



Please do visit www.wessexwater.co.uk/community/education for more information about what Wessex Water does to supply clean water to our homes, schools and businesses.